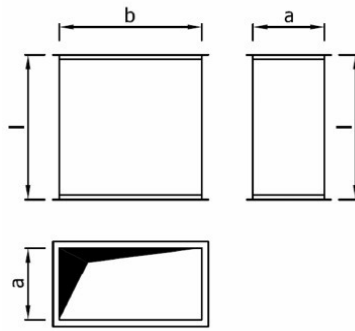


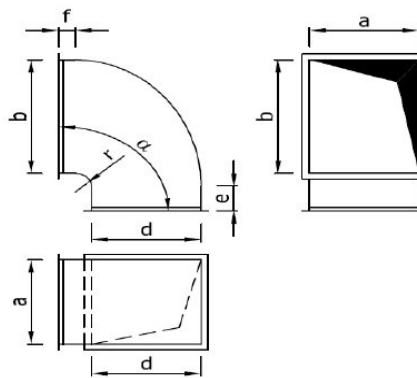
reduct

a	400
b	500
L	600



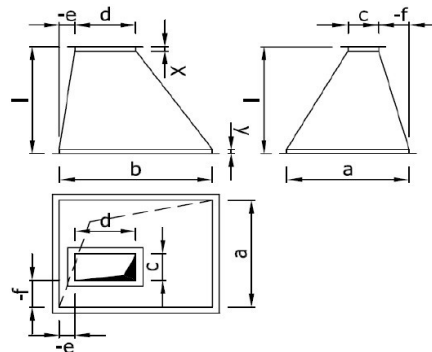
recbend

a	250
b	250
d	250
r1	30
r2	120
e	30
f	30



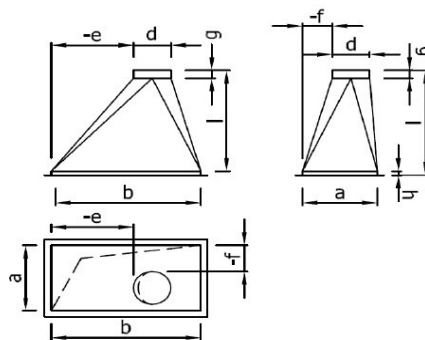
recred

a	400
b	500
c	150
d	500
l	300
e	0
f	0



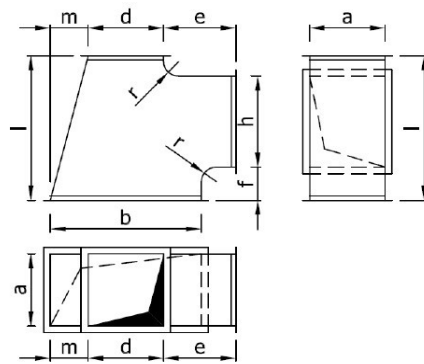
rectocirc

a	200
b	300
d	150
l	350
l2	30
e	-75
f	-75



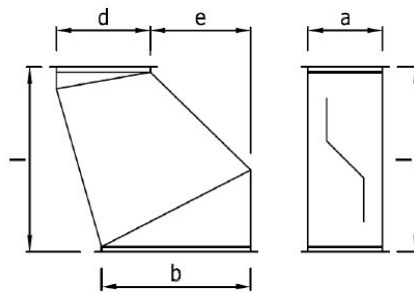
rectee

a	600
b	250
d	150
h	150
e	100 n+r2
f	100 k+r1
m	100 b + f - d - e
n	50
k	50
r1	50
r2	50
l	300 h+f+r2



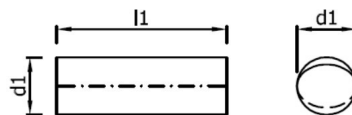
recoffset

a	400
b	500
d	400
e	300
l	800
l1	300
l2	200
l3	30



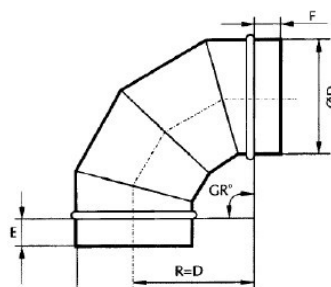
cirduct

d1	100
l1	1000



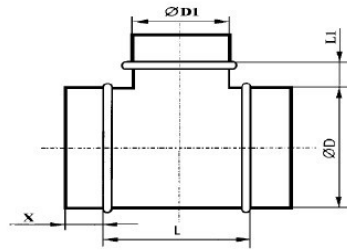
cirbend

D	150
GR	90
R	1.5



cirtee

D	150
D1	100
alfa	90
L	250
l1	60

**cirred**

D1	150
D2	100
L	100
e	62.5

